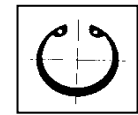


# HORQUILLAS FIJAS MERCEDES



Fijación cruz

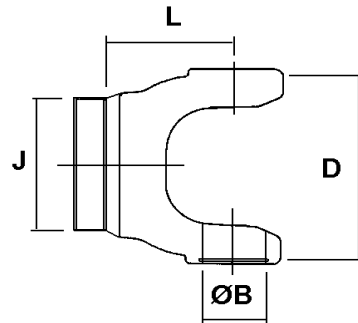
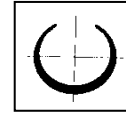


FIG. 1



Fijación cruz

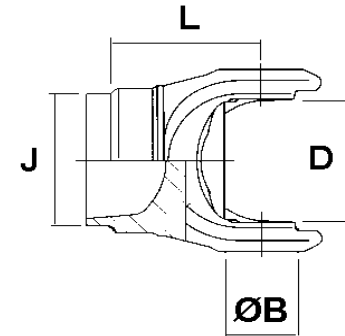


FIG. 2

| REF.<br>Cardyfren | PARA CRUZ |      | SERIE | FIG. | L   | Ø J   | β   | PARA<br>TUBO | OBSERVACIONES                    | EQUIV. | O. REF.           |  |
|-------------------|-----------|------|-------|------|-----|-------|-----|--------------|----------------------------------|--------|-------------------|--|
|                   | Ø B       | D    |       |      |     |       |     |              |                                  |        |                   |  |
| MBTR 5001         | 26        | 69,8 |       | 1    |     | 41    |     |              | MERCEDES TRANSPORTER             |        | 2.801.00.40.15885 |  |
| MBTR 5001         | 26        | 69,8 |       | 1    |     | 66    |     |              | MERCEDES TRANSPORTER             |        | 2.801.00.40.15886 |  |
| 2822 5001         | 42        | 106  | 2822  | 1    | 80  | 85,1  | 25° | 90 x 2,5     |                                  | 286.22 | 2.286.22.4017000  |  |
| 2822 5002         | 42        | 106  | 2822  | 1    | 80  | 90,1  | 25° | 100 x 5      |                                  | 286.22 | 2.286.22.4417000  |  |
| 2833 5001         | 48        | 126  | 2833  | 1    | 101 | 82,1  | 25° | 92 x 5       | MERCEDES.BENZ.                   | 286.33 | 2 286 33 4017000  |  |
| 2833 5002         | 48        | 126  | 2833  | 1    | 101 | 120,1 | 25° | 130 x 5      | MB ATEGO                         | 286.33 | 2.286.33.4417000  |  |
| 2837 5001         | 53        | 135  | 2837  | 1    | 116 | 90,1  | 30° | 100 x 5      | MERCEDES BENZ                    | 286.37 |                   |  |
| 2837 5002         | 53        | 135  | 2837  | 1    | 110 | 130,3 | 25° | 140 x 5      | MERCEDES BENZ                    | 286.37 | 2.286.37.4417060  |  |
| 3860 5002         | 68        | 89   | 3860  | 2    | 125 | 98,1  | 22° | 110 x 6      | MERCEDES BENZ                    | 385.60 |                   |  |
| 3860 5001         | 68        | 89   | 3860  | 2    | 145 | 130   | 22° | 140 x 5      | (Para cruz arillo interior) M.B. | 385.60 | 2.385.60.4417010  |  |
| 0079 5001         | 68        | 117  | 0079  | 2    | 140 | 132   | 22° | 144 x 7      | (Para cruz arillo interior) M.B. | 79     | 1140-79-02/03     |  |