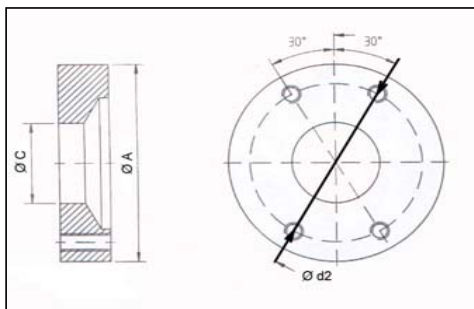


ADAPTADORES



REF. Cardyfren	Descripción	Ø A (mm)	Ø C (mm)	Ø d2 (mm)
HD33113000	Neutro	133	55	
HD33113001	4" Standard	102	63,5 (2,5")	82,5
HD33113002	4" Yanmar	108	50	78
HD33113003	5,75" Standard	148	76,2 (3")	120,7
HD33113007	4" Volvo	109	60	80
HD33113009	5" Standard	135	63,5 (2,5")	108
HD33113012	5" Yanmar	135	65	100
HD33113014B	Hurt 250 A		63,5 (2,5")	82,5
HD33115000	Neutro	133	55	
HD33115001	4" Standard	102	63,5 (2,5")	82,5
HD33115001R	4" con tubo.	112	63,5 (2,5")	82,5
HD33115003	5,75" Standard	155	76,2 (3")	120,7
HD33115005	4" Especial		66,6	82,5
HD33115006	5" Standard Macho	155	76,2 (3")	120,7
HD33115007	4" Volvo	109	60	80
HD33115009	5" Standard	135	63,5 (2,5")	108
HD33125000	Neutro	155	50	
HD33125003	5,75" Standard	155	76,2 (3")	120,7
HD33125006	5" Standard Macho		76,2 (3")	120,7
HD33125009	5" Standard	135	63,5 (2,5")	108
HD33125009A	5" Standard tornillos extra	135	63,5 (2,5")	108
HD33125120	DIN 120	120	75	101,5
HD33125141	SAE 1410	119	69,85	95,27
HD33130000	Neutro			
HD33130006	5" Standar Macho		76,2 (3")	120,7
HD33130009	5" Standard		63,5 (2,5")	108
HD33130120	DIN 120	120	75	101,5
HD33130150	DIN 150	150	90	130
HD33142000	Neutro			
HD33142006	5" Standar Macho		76,2 (3")	120,7
HD33142009	5" Standar Macho		63,5 (2,5")	108